

4-20 mA output infrared Temp

IR Temp. TRANSMITTER

Model : TR-IR430

ISO-9001, CE, IEC1010

www.yalab.com.tw 02-2389-0101



Lutron

www.YaLAB.com.tw

The Art of Measurement

4-20 mA output infrared Temp

IR Temp. TRANSMITTER

Model : TR-IR430

www.YaLAB.com.tw 02-2389-0101

FEATURE

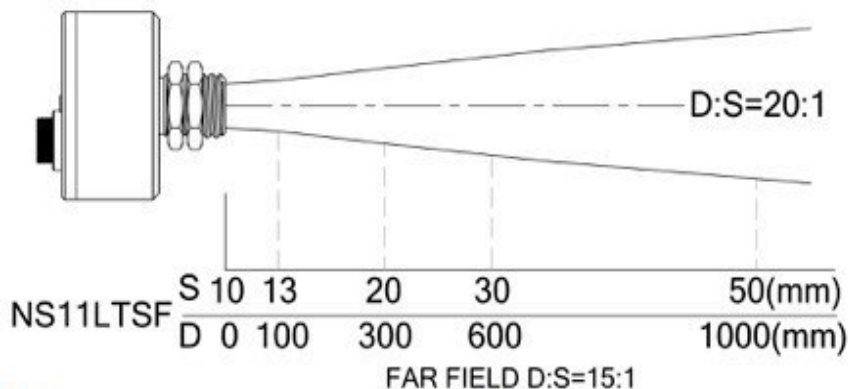
* 4-wire installation.
* Linear current output .
* Easy installation and connection.
* Temperature range 0°C~600°C .
* Emissivity values range from 0.100 to 1.000
* Temperature Unit setting : °C / °F .
* Small and robust infrared temperature sensor.

GENERAL SPECIFICATION

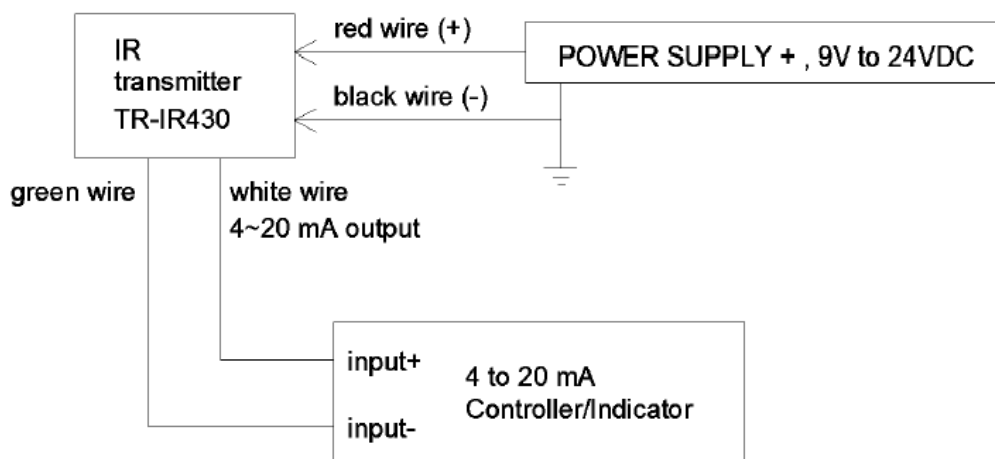
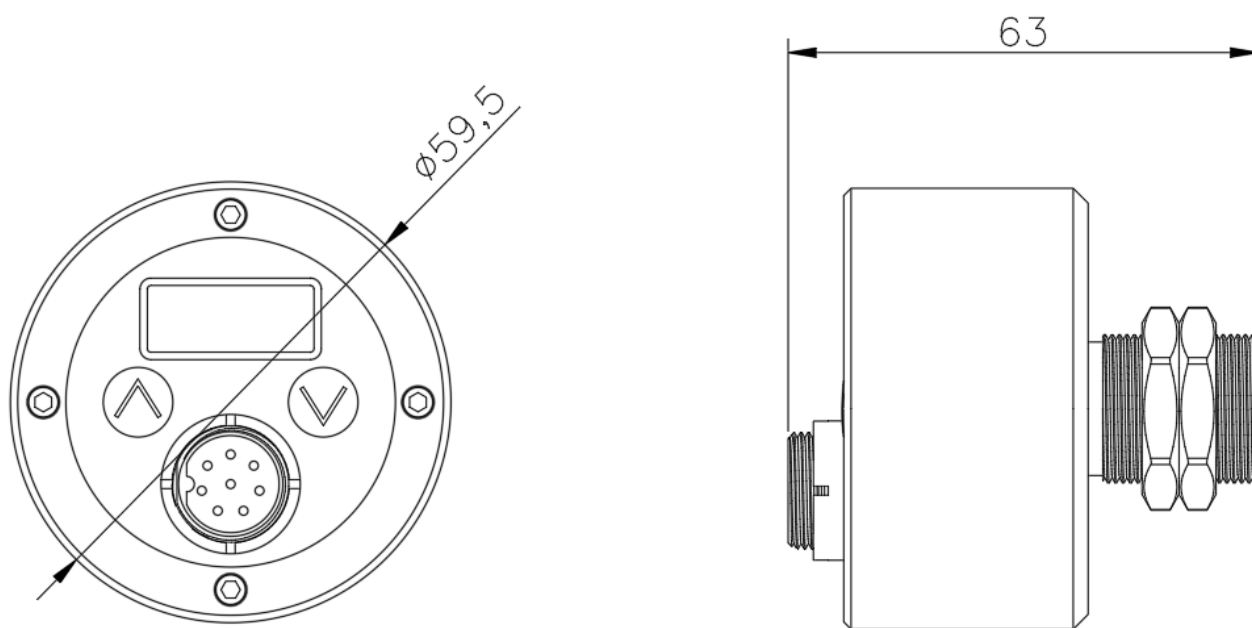
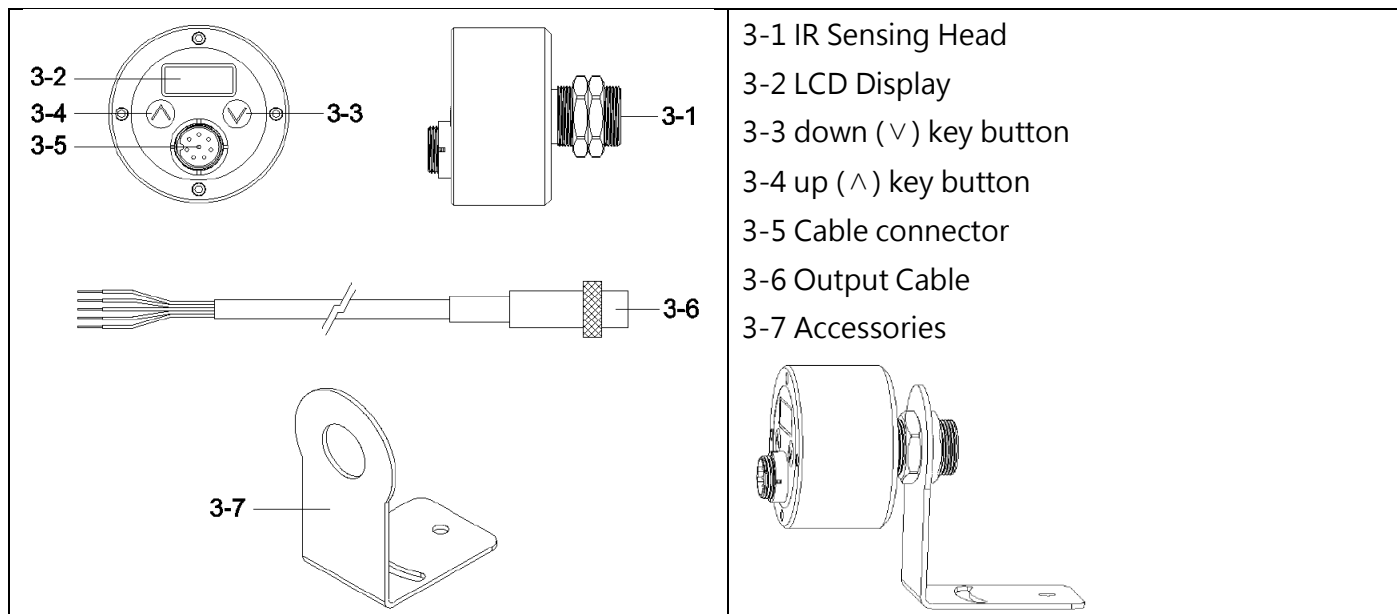
Spectral range	8 to14 μm.
Distance	D:S = 20:1 (90% energy) * measuring distance / spot size
Measurement Temp. range	0°C~600°C (0.026 mA/°C). 32 °F to 1112 °F (0.014 mA/°F) .
Analog output	Analog output: 4 to 20 mA. * linear to temperature.
Loop impedance	Max. 500 Ω@24 V DC.
Emissivity	0.100~1.000 .
Response time	150ms (95%)
Accuracy	±1% of reading or ±1.5°C, which is greater.
Repeatability	±0.5% of reading or ±1°C, whichever is greater.
Connection cable	1 m length.
Power supply	Isolated Power 12VDC to 24VDC@20 mA. * Ripple< 2.5%
Operation Temp.	0°C to 70°C /32°F to 158°F.
Operation humidity	Max. 85% RH.
Housing	Stainless Steel Tube.
Mounting Nut	M22.
Dimensions	L=63mm x Φ=59.5 mm
Weight	165 g (meter), 170 g (line).
Enclosure rating	IP65
Accessories	User manual.....1 pcs metal fixed plate(MTL-01).....1 pcs

* Spec. tested under the environment RF Field Strength less than 3 V/M & frequency less than the 30 MHz only.

Measurement Field distance / Spot (d/s) value



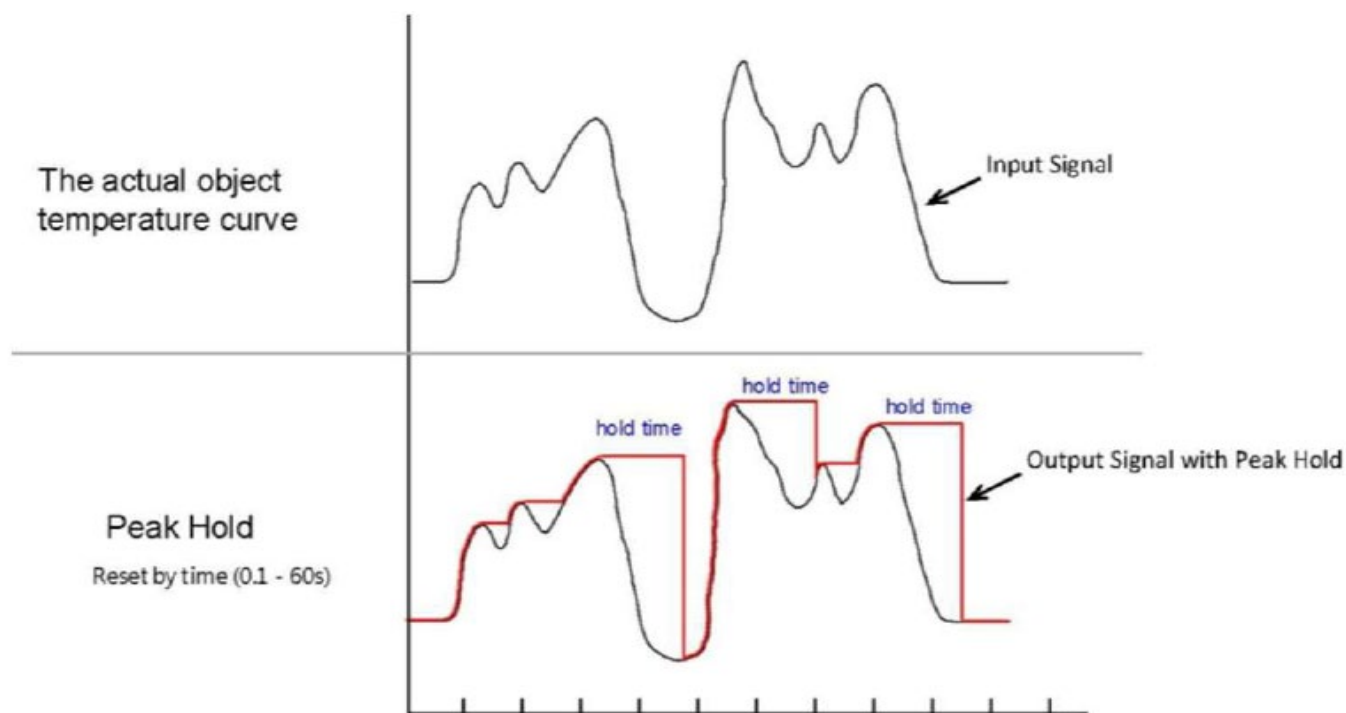
The optical diagrams indicate the target spot diameter at any given distance between the target object and the sensing head. The spot size will change in longer distance corresponding to the following drawing. In order to prevent measuring errors the object must be as least as big as the spot size.



Peak Hold

The mode allows the sensor to continue outputting the highest temperature for a particular time interval until it is exceeded by next higher peak. The signal output will hold the maximum value for the specified hold time (0.1-600s). Once the hold time is exceeded, it will reset and resume tracking the object temperature until a new peak is reached and the algorithm will start over again.

Remark: The function can be applied to Stability application



* Appearance and specifications listed in this brochure are subject to change without notice.

240409-TR-IR430

www.YaLAB.com.tw 02-2389-0101