

RS232/USB computer interface

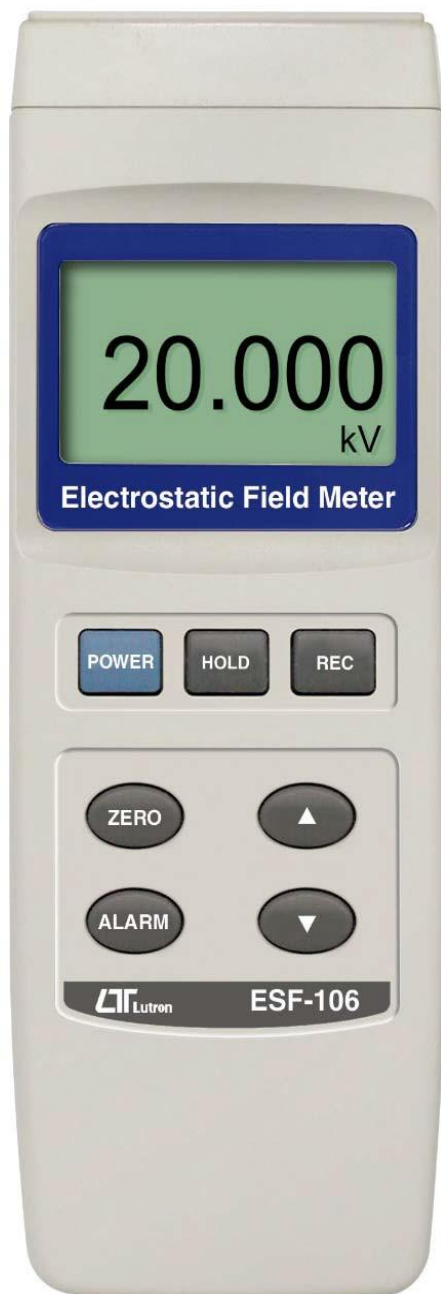
ELECTROSTATIC FIELD METER

Model : ESF-106

ISO-9001, CE, IEC1010

www.yalab.com.tw

02-2389-0101



Lutron

www.YaLAB.com.tw

The Art of Measurement

ELECTROSTATIC FIELD METER

Model : ESF-106

FEATURE

- 1 Professional precision STATIC Voltage meter with 0.001 kV resolution , digital display, battery operated.
- 2 LSI - circuit provides high reliability and durability .
- 3 Operation directly.
- 4 Measurement range : -19.999 kV to +19.999 kV.
- 5 High voltage alarm : +/- 18.000 kV.
- 6 ALARM setting : 0.010 kV to 18.000 kV.
- 7 Data hold , Record (Max. , Min.).
- 8 LCD with green light backlight, easy reading .
- 9 RS232 / USB Computer interface.
- 10 Built-in low battery indicator.
- 11 Power : DC 9V (006P).

GENERAL SPECIFICATION

Display	LCD size : 51 mm x 30 mm , Max. indication : ± 19999 . LCD with backlight (On/Off).
Circuit	Custom one-chip of microprocessor LSI circuit.
Measurement	Static Voltage : -19.999 kV to +19.999 kV
Over input	" ---- " mark indication.
Zero adjustment	ZERO button.
Sampling time	Approx. 0.5 second .
Data hold	Freeze the display reading.
Memory recall	Maximum and Minimum value.
Data output	RS232/USB PC Computer interface. * Connect the optional RS232 cable, UPCB - 02 will get the RS232 plug. * Connect the optional USB cable, USB - 01 will get the USB plug.
Operation Temp.	0 °C to 50 °C (32 °F to 122 °F).
Operation humidity	Less than 80% RH.
Power supply	Alkaline or Heavy duty type DC 9V battery. 006P , MN1604 (PP3) or equivalent
Power consumption	Approx. DC 6 mA
Weight	215 g / 0.476 LB
Dimension	195 x 68 x 30 mm (7.6 x 2.6 x 1.2 inch).
Accessories included	Instruction manual..... 1 PC 1" Magnetic Spacer..... 1 PC Ground wire..... 1 PC Ground CLIP..... 1 PC Carrying case, CA-06..... 1 PC
Optional accessories	* USB cable, USB-01. * RS232 cable, UPCB-02. * Data Acquisition software, SW-U801-WIN. * Excel Data Acquisition software, SW-E802.

ELECTRICAL SPECIFICATIONS (23± 5 °C)

Static Voltage

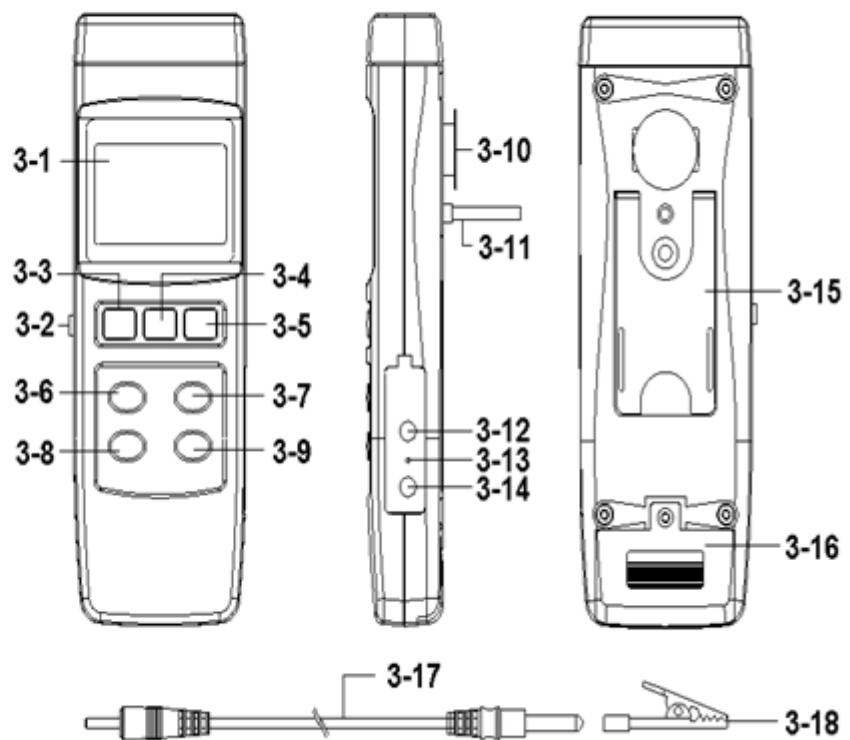
Range	Resolution	Accuracy
+19.999 to -19.999 kV	0.001 kV	$\pm (5\%+50d)$
Remark : Accuracy @ 23°C $\pm 5^{\circ}\text{C}$		

* Appearance and specifications listed in this brochure are subject to change without notice.

1605-ESF106

面版說明：

- 3-1 顯示
- 3-2 接地點
- 3-3 電源/背光按鈕
- 3-4 保持按鈕
- 3-5 記錄按鈕(MAX/MIN)
- 3-6 歸零按鈕
- 3-7 ▲ 按鈕
- 3-8 報警按鈕
- 3-9 ▼ 按鈕
- 3-10 感應器光盤
- 3-11 磁性墊片及距針
- 3-12 RS-232 輸出端子
- 3-13 重置按鈕
- 3-14 接地端子
- 3-15 支架
- 3-16 電池蓋/室
- 3-17 地線
- 3-18 鱷魚夾



ESF-106 靜電計

- 1 用於測量電荷或電勢差
- 2 專業靜電電壓表，解析度：0.001 kV
- 3 操作簡易
- 4 磁性墊片及距針，測距 25mm
- 5 地線+鱷魚夾
- 6 測量範圍：-19.999 kV 至 +19.999 kV
- 7 高壓報警：+/- 18.000 kV
- 8 可設定警報：0.010 kV-18.000 kV
- 9 數據保持、記錄 (最大值、最小值)
- 10 4 位半液晶顯示，帶綠光背光，讀取方便
- 11 RS232/USB 介面，資料記錄軟體(選購)
- 12 低電量指示器

13 電源：9V (006P) 電池

****防止電弧**

- 1 接近靜電場時，避免儀器太靠近帶電表面，可能會產生電弧
- 2 測試前，請先將儀器接地
- 3 確認操作人已完成防靜電腕帶的構建接地
- 4 並以漸進方式將儀器從幾英寸的距離帶到目標表面測量

關鍵名稱：

靜電壓計、高阻抗靜電電壓計、表面電壓靜電測試儀、手持式靜電場檢測儀、靜電測試計

用途：

物理實驗器材教學教具儀器、靜電防治檢測、靜電場域災害管控
監控靜電電壓、靜電敏感區測試、預防高度敏感的電子產品的靜電損害
電子業之靜電危害預防管理

www.YaLAB.com.tw 02-2389-0101